

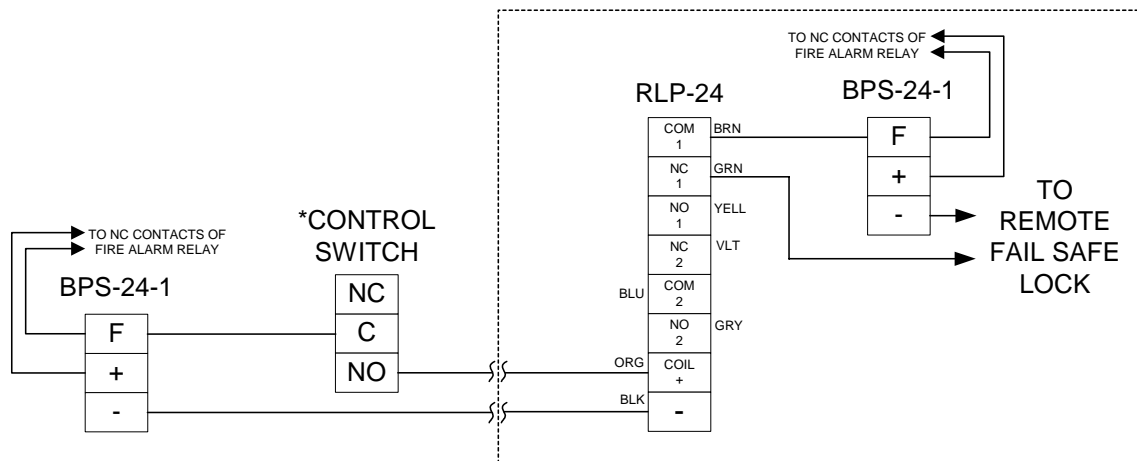
≡ SECURITRON QUICK TIP ≡

QUICK TIP NUMBER: QT-RLP-3

PRODUCT: RLP-12 or RLP-24

DESCRIPTION: To control a REMOTE FAIL SAFE LOCK at long distance (1,000' or Greater) or if existing wire gauge is too small, the addition of a remote power supply and relay can act as a line POWER BOOSTER. BPS-24-1 power supplies are shown as examples only. Any 12VDC or 24VDC power supply (depending upon application) could be used.

***NOTE - CONTROL SWITCH COULD BE A LOCK CONTROL PANEL, A PUSH BUTTON OR ANY OTHER NORMALLY OPEN CONTROL DEVICE.**



Using the RLP to Create a Power Booster (fail safe locks)